

For Students: Please listen to the teacher read the options for each picture before choosing your answer. Repeat your answer back to the teacher after the teacher has finished reading all options.

Part 2 – Describing Pictures

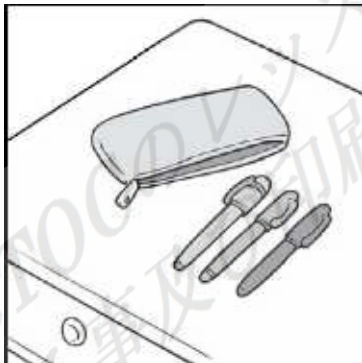


L5E 12-1

No. 16



No. 17



No. 18



No. 19



No. 20



No.21



Copyright © 2018 Surely work.co

完全版テキストはレッスン前に担当講師から受け取って下さい

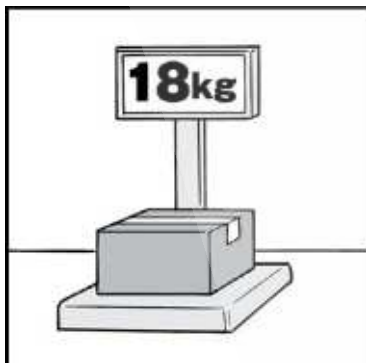
講師のスカイプチャットにテキスト名を送って下さい

Your teacher can send you the complete material.

Please ask them to send the complete version of this material before the lesson.



No. 25



No. 16

- A) Karen has a spoon in her hand.
- B) Karen has a plate in her hand.
- C) Karen has a cup in her hand.

No. 17

- A) The pens are in the pencil case.
- B) The pens are on the pencil case.
- C) The pens are by the pencil case.

No. 18

- A) The students eat lunch at eleven every day.
- B) The students eat lunch at noon every day.
- C) The students eat lunch at one every day.

No. 19

Copyright © 2018 Surely work.co

完全版テキストはレッスン前に担当講師から受け取って下さい

講師のスカイプチャットにテキスト名を送って下さい

Your teacher can send you the complete material.

Please ask them to send the complete version of this material before the lesson.

No. 21

- A) A family is on a plane.
- B) A family is on a boat.
- C) A family is on a subway.

No. 22

- A) May has new jeans.
- B) May has new boots.
- C) May has new glasses.

No. 23

- A) Today is Tuesday.
- B) Today is Thursday.
- C) Today is Saturday.

No. 24

- A) Becky likes running.

- B) Becky likes dancing.
- C) Becky likes reading.

No. 25

- A) The box is eight kilograms.
- B) The box is eighteen kilograms.
- C) The box is eighty kilograms.

Copyright © 2018 Surely work.co

完全版テキストはレッスン前に担当講師から受け取って下さい

講師のスカイプチャットにテキスト名を送って下さい

Your teacher can send you the complete material.

Please ask them to send the complete version of this material before the lesson.

